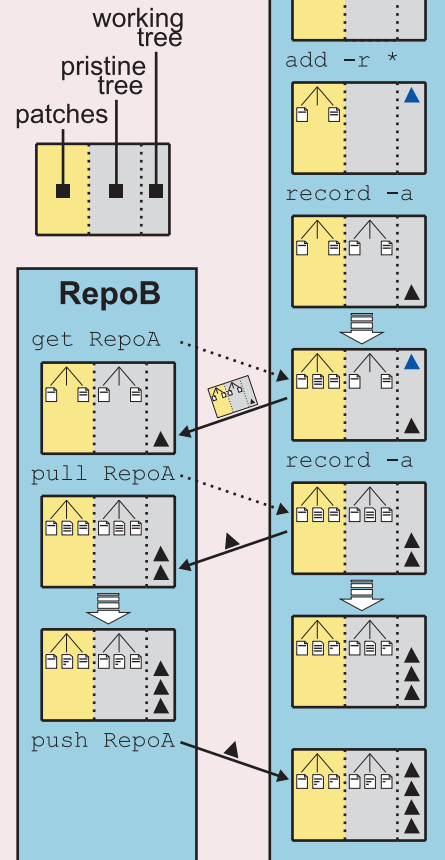


DARCS Cheat Sheet

Example of Use

- ▲ pending patch
- ▲ patch
- 📁 files
- 📁 several changes
- ⋯→ request
- data transfer



Common Options

- a --all answer yes to all patches
- i --interactive prompt user interactively
- s --summary summarize changes
- u --unified output patch in darcs-specific format similar to diff -u
- l --look-for-adds look for files to add
- p REGEXP --patches=REGEXP select patches matching REGEXP
- t REGEXP --tags=REGEXP select tags matching REGEXP

Creating Repository

- init Initialize a new repository
- get <REPOSITORY> [<DIRECTORY>] Create a local copy of a repository
- put <NEW REPOSITORY> Makes a copy of the repository

Modifying Repository Contents

- add [-r] <FILE or DIRECTORY> Add files or directories
- r add contents of subdirectories
- remove <FILE or DIRECTORY> Remove files or directories
- mv [FILE or DIRECTORY] Move/Rename files or directories
- replace <OLD> <NEW> <FILE> Replace a token by a new value
- f replace even if 'new' token exists

Working with Changes

- record [-ailm] [FILE or DIRECTORY] Save changes as a patch
- m PATCHNAME name of patch
- pull [-aipts] [REPOSITORY] Copy and apply patches from a repository
- push [-aipts] [REPOSITORY] Copy and apply patches to a repository
- send [-Aaioptsu] [REPOSITORY] Send by email a bundle of patches
- A EMAIL specify author id
- o FILE specify output filename
- apply [-ai] <PATCHFILE> Apply patches from a bundle

Seeing Your Changes

- whatsnew [-lsu] [FILE or DIRECTORY] Display unrecorded changes
- changes [-pt] [FILE or DIRECTORY] Gives a summary of the history
- show files List version-controlled files

Undoing - Redoing

- amend-record [-ailp] [FILE or DIRECTORY] Replace a patch with another version
- rollback [-p] Record an inverse patch
- unrecord [-pt] Remove recorded patches
- unpull [-pt] Alias for obliterate
- obliterate [-pt] Delete patches and their effect
- revert [-ai] [FILE or DIRECTORY] Revert to the recorded version
- unrevert [-ai] Undo the last revert

Other Useful Commands

- dist [-d] [FILE or DIRECTORY] create a distribution tarball.
- d DISTNAME name of version
- setpref <PREF> <VALUE> set a value for a preference
- repos <REPOSITORY> author <ID> email <EMAIL>
- tag [-i] [TAGNAME] tag repository with a version name

Advanced Commands

- annotate [-pstu] Display patch that last modified something
- check Check the repository for consistency
- diff [-pu] [FILE or DIRECTORY] Create a diff between two repository
- optimize [-t] Optimize the repository.
- t TAGNAME name of version
- repair Repair the corrupted repository
- mark-conflicts Mark any conflicts to the repository
- trackdown [[[INITIALIZATION] COMMAND] Locate the most recent version lacking an error